

PT-NC326P3-IZS(D) 2 MP IR Varifocal Bullet Network Camera



Key Features

- 1/2.8-inch Progressive Scan CMOS
- 1920 × 1080@30fps
- 2.7 to 13.5 mm, varifocal lens
- Colour: 0.018 Lux @ (F1.6, AGC ON)
- H.265, H.265+, H.264, H.264+
- Three streams
- Supports unicast and multicast streams
- BLC/3D DNR/ROI/HLC
- IR range: Up to 40 m
- IP67, IK10
- 3-Axis adjustment
- Built-in micro SD/SDHC/SDXC card slot, up to 256 GB
- Supports SADP (Search Active Directory Protocol) for auto discovery of camera in network

Specifications

Camera	
Image Sensor	1/2.8 inch Progressive Scan CMOS
Min. Illumination	Color: 0.018 Lux @ (F1.6, AGC ON), 0 Lux with IR
Shutter Speed	1/3 s to 1/100,000 s
Slow Shutter	Yes
Day & Night	IR Cut Filter
WDR	120dB WDR
Angle Adjustment	Pan: 0° to 360°, tilt: 0° to 90°, rotate: 0° to 360°
Lens	
Lens Type	2.7 to 13.5 mm
Aperture	F1.6
FOV	Horizontal FOV: 100° to 35°, vertical FOV: 53.5° to 20°, diagonal FOV: 118° to 40.1°
Lens Mount	Φ14
Illuminator	
IR Range	Up to 40 m
Wavelength	850 nm
Video	
Max. Resolution	1920 × 1080
Main Stream	50Hz: 25fps (1920 × 1080, 1280 × 960, 1280 × 720) 60Hz: 30fps (1920 × 1080, 1280 × 960, 1280 × 720)
Sub Stream	50Hz: 25fps (1280 × 720, 704 × 480, 640 × 360, 320 × 240) 60Hz: 30fps (1280 × 720, 704 × 480, 640 × 360, 320 × 240)
Third Stream	50Hz: 1fps (1280 × 720, 640 × 360) 60Hz: 1fps (1280 × 720, 640 × 360)
Video Compression	Main stream: H.265/H.264 Sub-stream: H.265/H.264/MJPEG Third stream: H.265/H.264
H.264 Type	Baseline Profile/Main Profile/High Profile
H.264+	Main stream supports
H.265 Type	Main Profile
H.265+	Main stream supports
Video Bit Rate	32 Kbps to 8 Mbps
Smart Feature-Set	
Smart Event	Line crossing detection, 1 line configurable Intrusion detection, 1 region configurable
Basic Event	Motion detection, video tampering alarm, exception (network disconnected, IP address conflict, illegal login, HDD full, HDD error)
Linkage Method	Upload to FTP/memory card, notify surveillance center, send email, trigger capture
Region of Interest	1 fixed region for main stream and sub-stream

Image	
Image Enhancement	BLC, HLC, 3D DNR
Image Setting	Saturation, brightness, contrast, sharpness, AGC and white balance adjustable by client software or web browser
Day/Night Switch	Day/Night/Auto/Schedule
SNR	> 50dB
Network	
Network Storage	Micro SD/SDHC/SDXC card (256 GB), local storage and ANR Together with high-end memory card, memory card encryption and health detection are supported.
Protocols	TCP/IP, ICMP, HTTP, HTTPS, FTP, DHCP, DNS, DDNS, RTP, RTSP, NTP, UPnP, SMTP, IGMP, 802.1X, QoS, IPv6, UDP, Bonjour, SSL/TLS, SNMP, IPv4
API	ONVIF (PROFILE S, PROFILE G, PROFILE T), ISAPI, SDK
Security	Password protection, complicated password, HTTPS encryption, watermark, IP address filter, basic and digest authentication for HTTP/HTTPS, RTP/RTSP over HTTPS, control timeout settings, security audit log, TLS 1.2
Simultaneous Live View	Up to 6 channels
User/Host	Up to 32 users, 3 levels: administrator, operator and user
Web Browser	IE8+, Chrome 41.0-44, Firefox30.0-51, Safari8.0-11
Interface	
Communication Interface	1 RJ45 10M/100M self-adaptive Ethernet port
Audio	1 input, 1 output
Alarm	1 input, 1 output
On-board storage	Built-in micro SD/SDHC/SDXC slot, up to 256 GB
General	
General Function	One-key reset, anti-flicker, heartbeat, mirror, password protection, privacy mask, watermark, title, date and time superimposing, IP address filter, flash log
Reset	Reset via reset button on camera body, web browser and client software
Startup and Operating Conditions	-30 °C to 60 °C (-22 °F to 140 °F), humidity 95% or less (non-condensing)
Storage Conditions	-30 °C to 60 °C (-22 °F to 140 °F), humidity 95% or less (non-condensing)
Power Supply	12 VDC \pm 25%, Φ 5.5 mm coaxial power plug; PoE (802.3af, class 3)
Power Consumption and Current	12 VDC, 0.92 A, max. 11 W; PoE (802.3af, 36 V to 57 V), 0.4 A to 0.2 A, max. 12.9 W
Material	Metal
Dimensions	Camera: Φ 105 mm \times 244.4 mm (Φ 4.1 inch \times 9.6 inch) With package: 315 mm \times 137 mm \times 141 mm (12.4 inch \times 5.4 inch \times 5.6 inch)
Weight	Camera: approx. 700 g (1.5 lb.) With package: approx. 1085 g (2.4 lb.)
Approval	
Protection	IP67, IK10

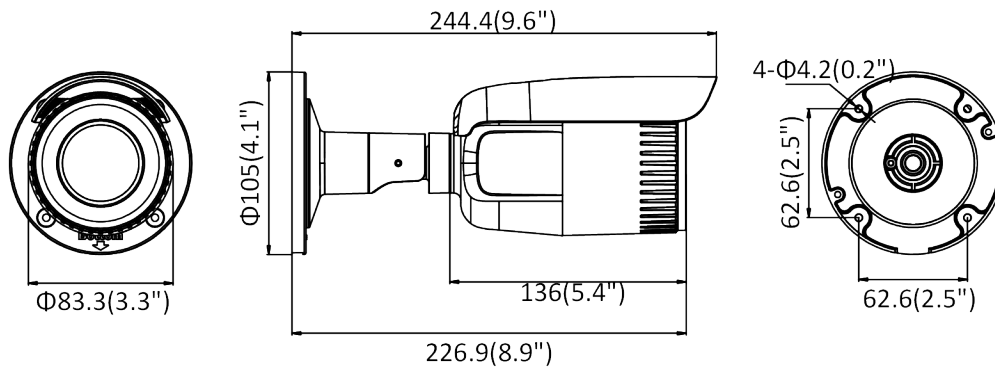
* Listed resolutions are only selectable options. It does not mean that all streams can work at their maximum resolution at the same time.

*Specifications are subject to change without prior notice. *Product picture may can be differ as per actual.

Available Model

PT-NC326P3-IZS(D) (2.7 to 13.5 mm)

Dimension



Unit: mm(inch)

Accessories

Junction Box	Junction Box	Vertical Pole Mount	Vertical Pole Mount	Corner Mount
