

PT-DR1A16G-K1

HD-TVI DVR Series



Key Feature

- H.265 Pro+/H.265 Pro/H.265 video compression
- HDTVI/AHD/CVI/CVBS/IP video input
- Up to 18-ch IP camera input (up to 5 MP)
- Max. 800 m for 1080p and 1200 m for 720p HDTVI signal transmission
- Up to 10 TB capacity per HDD



Compression and Recording

- H.265 Pro+ video compression improves encoding efficiency and reduces data storage costs
- Full channel recording at up to 1080p lite resolution

Storage and Playback

- Smart search for efficient playback

Network & Ethernet Access

- DDNS (Dynamic Domain Name System) for easy network management
- 96 Mbps total bandwidth

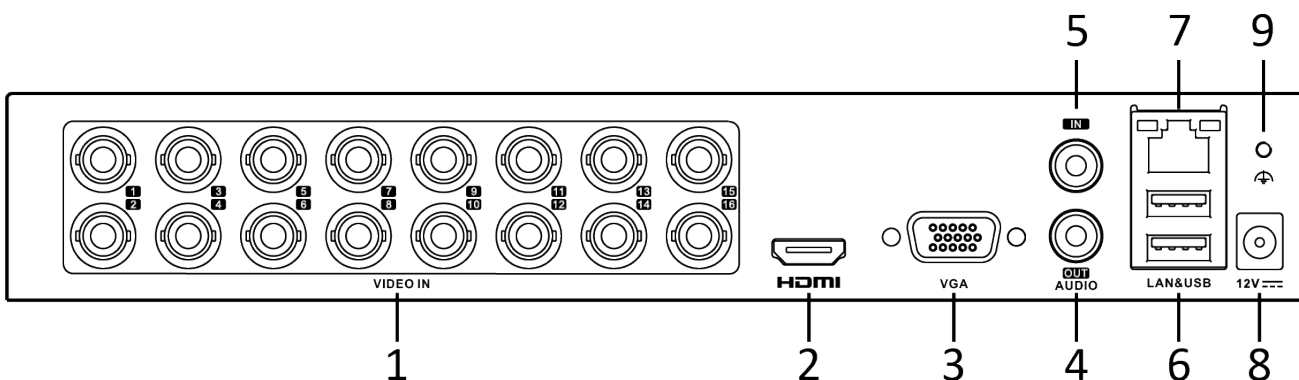
Specification

Model	PT-DR1A16G-K1
Recording	
Video compression	H.265 Pro+/H.265 Pro/H.265/H.264+/H.264
Encoding resolution	1080p lite/720p/VGA/WD1/4CIF/CIF
Frame rate	<p>Main stream: For 1080p stream access: 1080p lite/720p lite/WD1/4CIF/VGA@15 fps; CIF@25 fps (P)/30 fps (N) For 720p stream access: 720p/WD1/4CIF/VGA@15 fps; CIF@ 25fps (P)/30 fps (N) For standard definition stream access: WD1/4CIF/VGA/CIF@25 fps (P)/30 fps (N)</p> <p>Sub-stream: For 1080p and 720p stream access: CIF/QVGA@15 fps For standard definition stream access: CIF/QVGA@25 fps (P)/30 fps (N)</p>
Video bit rate	32 Kbps to 4 Mbps
Dual stream	Support
Stream type	Video, Video & Audio
Audio compression	G.711u
Audio bit rate	64 Kbps
Video and Audio	
IP video input	2-ch (up to 18-ch) Up to 5 MP resolution Support H.265+/H.265/H.264+/H.264 IP cameras
Analog video input	16-ch BNC interface (1.0 Vp-p, 75 Ω)
HDTVI input	1080p25, 1080p30, 720p25, 720p30
AHD input	1080p25, 1080p30, 720p25, 720p30
HDCVI input	1080p25, 1080p30, 720p25, 720p30
CVBS input	PAL/NTSC
HDMI/VGA output	1-ch, 1920 × 1080/60Hz, 1280 × 1024/60Hz, 1280 × 720/60Hz, 1024 × 768/60Hz HDMI/VGA simultaneous output
Audio input	1-ch RCA (2.0 Vp-p, 1 KΩ)
Audio output	1-ch, RCA (Linear, 1 KΩ)
Two-way audio	1-ch, RCA (2.0 Vp-p, 1 KΩ) (using the audio input)
Synchronous playback	16-ch
Network	
Remote connections	128
Network protocols	TCP/IP, PPPoE, DHCP, DNS, DDNS, NTP, SADP, NFS, iSCSI, UPnP™, HTTPS
Network interface	1, RJ45 10/100 Mbps self-adaptive Ethernet interface
Auxiliary interface	
SATA	1, SATA interface
Capacity	Up to 10 TB capacity for each disk
USB interface	Rear panel: 2 × USB 2.0

General	
Power supply	12 VDC, 1.6 A
Consumption (without HDD)	≤ 7 W
Working temperature	-10 °C to 55 °C (14 °F to 131 °F)
Working humidity	10% to 90%

*Specifications are subject to change without prior notice. *Product picture may differ from the actual.

Physical Interfaces



No.	Description	No.	Description
1	Video and Audio in	6	USB Interface
2	HDMI Interface	7	LAN Network Interface
3	VGA Interface	8	12 VDC Power Input
4	AUDIO OUT	9	GND
5	AUDIO IN		

Available Model

PT-DR1A16-K1