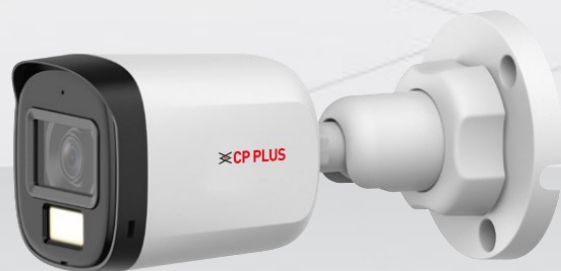


CP-URC-TC24PL3C-L

2.4MP Dual IR Bullet Camera - 30Mtr.

- 2.4 MP CMOS Image Sensor
- DWDR, Day/Night (ICR), 2D-NR, BLC, HLC
- 3.6 mm fixed lens (2.8 mm, 6 mm optional)
- IR Range of 30 Mtrs., Smart IR, IP67
- control over coaxial cable, 2D-NR
- Support Built-in Mic



Built-in Mic



IP67



Smart Dual IR

illumax
Dual Light

System Overview

Delivering full-color video in complete darkness, the **Illumax range** of advanced Dual IR Cameras is the ideal solution for upgrading your security system. Enabling you with enhanced control, Illumax supports multiple night vision modes as well as numerous formats.

Functions

Smart Dual IR (warm light and IR)

Smart Dual IR combines infrared and warm light for superior night vision, ensuring clear images in complete darkness and providing enhanced visibility in low-light conditions.



CP-URC-TC24PL3C-L

2.4MP Dual IR Bullet Camera - 30Mtr.

Functions

True Day/Night (ICR)

When the scene is too dark, the image is captured by illuminating an infrared light through the camera onto the scene that greatly helps with making the scene visible for the lens. It delivers color images during the day and automatically switches to the monochrome feature as the scene darkens.

Active Deterrence

Active deterrence includes built-in alarms and flashing lights to ward off intruders in real-time, enhancing security by preventing potential threats before they escalate.

Long Distance Transmission

Long-distance transmission capability allows video signals to be transmitted over extended distances without quality loss, ensuring reliable and clear footage from remote locations.

All-in-1 HD Camera (HDCVI, HDTVI, AHD, CBVS)

This feature supports multiple video formats—HDCVI, HDTVI, AHD, and CBVS—making the camera versatile and compatible with various DVRs for seamless integration.

Built-in Mic

The built-in microphone captures high-quality audio, adding an extra layer of security by recording sound along with video, which is essential for comprehensive surveillance.

About CP PLUS

The brand that is on its way to lead the world when it comes to the security and surveillance industry, CP PLUS, keeps bombarding the market with the most reliable range of products that have been designed carefully and methodically to automate the whole surveillance and security process, no matter how big your premises are.

It was the initiative to help the public in the area where they are the most vulnerable and to empower the sense of safety in our hearts that had conceptualized CP PLUS. And embarking on its mission to make the world a safer and more secure place has taken the brand's journey to unprecedented levels even when compared to international competitors.



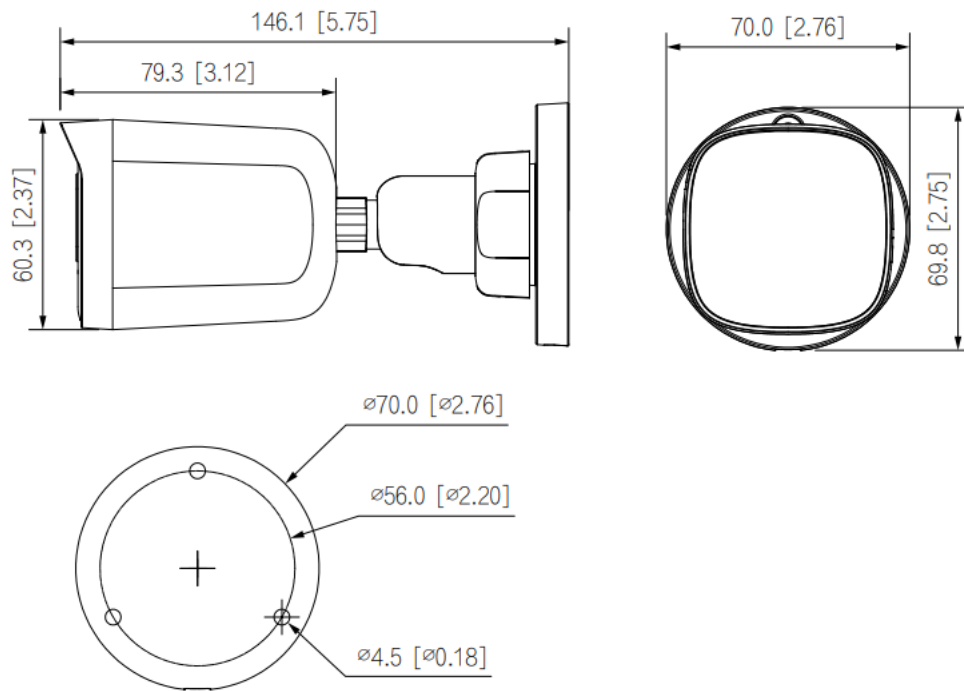
CP-URC-TC24PL3C-L

2.4MP Dual IR Bullet Camera - 30Mtr.

| Feature | Specification |
|-------------------------|---|
| Image Sensor | 2.4MP PS CMOS Image Sensor |
| Minimum Illumination | 0.02 lux F2.0 (Color, 30 IRE), 0.002 lux F2.0 (B/W, 30 IRE), 0 lux (IR on) |
| Max. Resolution | 1920 (H) × 1080 (V) |
| Pan, Tilt, Rotation | Pan: 0°–360° Tilt: 0°–78° Rotation: 0°–360° |
| Shutter Speed | PAL: 1/25 s–1/100,000 s NTSC: 1/30 s–1/100,000 s |
| White Balance | Auto , Area white balance |
| DORI Distance | 2.8 mm: Detect: 44.7Mtr., Observe: 17.9 Mtr., Recognize: 8.9 Mtr., Identify: 4.5 Mtr. 3.6 mm: Detect: 55.0Mtr., Observe: 22.0Mtr., Recognize: 11.0 Mtr., Identify : 5.5 Mtr. 6 mm : Detect: 102.9 Mtr. Observe: 41.1 Mtr. Recognize: 20.6 Mtr. Identify: 10.3 Mtr |
| Lens Mount | M12 |
| Close Focus Distance | 2.8 mm: 0.5 Mtr. 3.6 mm: 0.8 Mtr. 6 mm: 2.4 Mtr. |
| Gain Control (AGC) | Auto/Manual |
| Max. Aperture | F2.0 |
| Lens Type | Fixed- Focal |
| Lens | 3.6 mm fixed lens (2.8 mm,6 mm optional) |
| Angle of View | 2.8 mm: H: 100°; V: 54°; D: 117° 3.6 mm: H: 80°; V: 43°; D: 94° 6 mm: H: 43°; V: 24°; D: 50 |
| Back Light Compensation | BLC/HLC/DWDR |
| S/N Ratio | >65dB |
| Video Output | Video output choices of CVI/TVI/AHD/CVBS by one BNC port |

| Feature | Specification |
|-----------------------|---|
| Resolution | 2.4MP(1928×1088), 960H (960 × 576/960 × 480) |
| Frame Rate | CVI: PAL: 2.4MP@25 fps NTSC: 2.4MP@30 fps AHD: PAL: 2.4MP@25 fps NTSC: 2.4MP@30 fps TVI: PAL: 2.4MP@25 fps NTSC: 2.4MP@30 fps CVBS: PAL: 960H NTSC: 960H |
| Noise Reduction | 2D-NR |
| Privacy Masking | Off/On (8 areas, rectangle) |
| Audio Input | 1 channel built-in Mic |
| Day/Night | Auto(ICR)/Color/B/W |
| IR Distance | IR Range of 30 Mtr. |
| Warm Light Distance | Warm Light Range of 20 Mtr. |
| IR Number | 2 (Warm light) + 2 (IR light) |
| IR Control | Auto, Manual |
| Iris Control | Fixed |
| IR Mode | Smart IR&WL, WL Mode, IR Mode |
| Anti-corrosion Level | Basic Protection |
| Audio | Built-in Mic |
| Mirror Function | Support |
| Weatherproof Standard | IP67 |
| Operating Temperature | -40 °C to +60 °C (-40 °F to +140 °F) |
| Operating Humidity | <95% (RH), non-condensing |
| Storage Temperature | -40 °C to +60 °C (-40 °F to +140 °F) |
| Storage Humidity | <95% (RH), non-condensing |
| Power Source | 12 VDC ± 30% |
| Power Consumption | Max 3.3 W (12 VDC, LED on) |
| Casing | Plastic |
| Dimension | 146.1 mm × 70.0 mm × 69.8 mm |
| Weight | 0.15kg |

Dimensions (mm/inch)



Company Name:

CP PLUS (Aditya Infotech Ltd.)

F-28 Okhla Industrial Area, Phase 1,

New Delhi 110020, INDIA

Contact Mail ID :- customercare@cpplusworld.com