

CP-UNC-VC41ZL5C-VMD-Q

4MP Network IR Vandal Dome Camera - 50Mtr.

- 1/2.7" 4MP PS CMOS Image Sensor (0.9407 Centimeters)
- Max. 4MP (2688 x 1520)@ 1-25/30FPS
- Instastream, H.265, H.264, H.264H, H.264B, MJPEG
- Support Quad Stream
- WDR(120dB), Day/Night(ICR), 2D NR, 3D NR, ROI, BLC, HLC, AWB, AGC
- 2.7mm–13.5mm Motorized Lens
- IR Range of 50 Mtr.
- Support Starlight Technology
- Support Built-in Mic
- Micro SD Card, IP67, IK10, PoE



System Overview

This camera is ideal for places which suffer from altering lighting conditions as the starlight solution along with the full-colour technology in this camera illuminates the scene perfectly to present to you a clear and vivid image. This series is supported by intelligent functions that use AI-based deep learning algorithms which enable effective perimeter protection and smart motion detection for easier surveillance.

CTC Technology:

CP PLUS Trusted Core Technology is a multi-layered security architecture that brings together the best of cyber security practices and technological intelligence. It is not just an enhancement; it is a complete redefinition of how surveillance should function in today's digital landscape - more intelligent, more secure, and more reliable than ever before.



CP-UNC-VC41ZL5C-VMD-Q

4MP Network IR Vandal Dome Camera - 50Mtr.

Functions

Wide Dynamic Range (WDR)

When a scene is partly dark and partly bright, that is the dynamic range that distorts images due to this difference in the lighting. WDR technology provides you balanced lighting for a clear and vivid image throughout the day. WDR technology can be installed at entry/exit points of any building structure, jewellery shops, outdoor location among so many other places.

Starlight Technology

This camera is widely used to provide sharper and clearer picture quality with the help of its exceptional starlight sensitivity as the camera improves night vision in low light conditions. This technology is useful in conditions with extremely low light as the starlight technology turns almost completely dark images into those of clear colors.

True Day/Night (ICR)

When the scene is too dark, the image is captured by illuminating an infrared light through the camera onto the scene that greatly helps with making the scene visible for the lens. It delivers color images during the day and automatically switches to the monochrome feature as the scene darkens.

Power over Ethernet

CP PLUS cameras with Power over Ethernet (PoE) technology offer a simple and efficient installation by using a single Ethernet cable to deliver both power and data. This eliminates the need for separate power adapters, reduces cable clutter, and ensures a cleaner setup.

About CP PLUS

The brand that is on its way to lead the world when it comes to the security and surveillance industry, CP PLUS, keeps bombarding the market with the most reliable range of products that have been designed carefully and methodically to automate the whole surveillance and security process, no matter how big your premises are.

It was the initiative to help the public in the area where they are the most vulnerable and to empower the sense of safety in our hearts that had conceptualized CP PLUS. And embarking on its mission to make the world a safer and more secure place has taken the brand's journey to unprecedented levels even when compared to international competitors.



CP-UNC-VC41ZL5C-VMD-Q

4MP Network IR Vandal Dome Camera - 50Mtr.

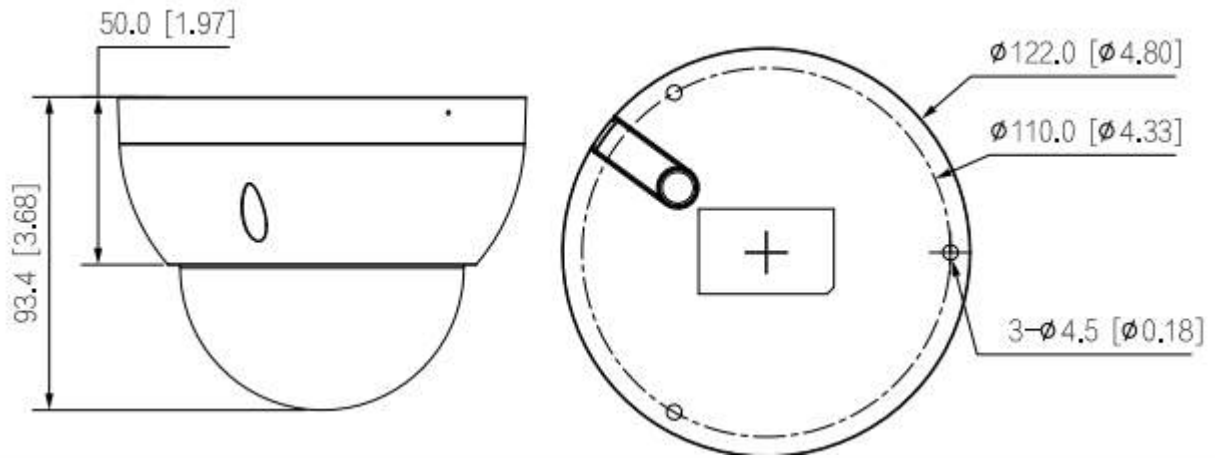
| Feature | Specification |
|-------------------------|--|
| Image Sensor | 1/2.7" 4MP PS CMOS Image Sensor (0.9407 Centimeters) |
| Effective Pixels | 2960 (H) × 1668 (V) |
| Minimum Illumination | 0.001 lux@F1.4 (Color, 30 IRE), 0.0001 lux@F1.4 (B/W, 30 IRE), 0 lux (IR on) |
| Angle Adjustment | Pan: 0°–355°, Tilt: 0°–75°, Rotation: 0°–355° |
| Shutter Speed | Auto/Manual 1/3 s–1/100,000 s |
| ROM | 128 MB |
| RAM | 256 MB |
| White Balance | Auto, Natural, Street lamp, Outdoor, Manual, Regional custom |
| Lens | 2.7 mm–13.5 mm |
| Max. Aperture | F1.4 |
| Close Focus Distance | 0.8 m |
| Lens Mount | φ14 |
| DORI Distance | Lens W: 64.0 m (Detect), 25.6 m (Observe), 12.8 m (Recognize), 6.4 m (Identify) Lens T: 210.0 m (Detect), 84.0 m (Observe), 42.0 m (Recognize), 21.0 m (Identify) |
| Lens Type | Motorized Vari-focal |
| Gain Control(AGC) | Auto, Manual |
| IR Control | Auto, Manual |
| IR Number | 2 IR LED |
| IR | IR Range of 50 Mtr. |
| Audio | Built-in Mic |
| Back Light Compensation | BLC/ HLC/ WDR(120dB) |
| Angle of View | H: 113°–31°, V: 58°–18°, D: 138°–36° |
| S/N Ratio | >58 dB |
| Day/Night | Auto(ICR)/Color/B/W |
| OTA (Over-The-Air) | Support |

| Feature | Specification |
|---------------------------|---|
| Resolution | 4MP (2688 × 1520), 3MP (2304 × 1296), 2MP (1920 × 1080), 1.3MP (1280 × 960), 720p (1280 × 720), D1 (704 × 576), VGA (640 × 480), (352 × 288) |
| Stream Capability | Quad Stream |
| Frame Rate | <p>Main stream: 4MP(2688 x 1520)@ 1-25/30FPS 3MP(2048 x 1536)@ 1-25/30FPS, (2304 x 1296)@ 1-25/30FPS, 2MP(1920 x 1080)@ 1-25/30FPS, 1.3MP(1280 x 960)@ 1-25/30FPS, 720p(1280 x 720)@1-25/30FPS Sub Stream1:- D1(704 x 576)@ 1-25/30FPS, VGA(640 x 480)@ 1-25/30FPS, CIF (352 x 288)@ 1-25/30FPS Sub stream 2:-D1 (704 x 576)@ 1-25/30FPS, VGA(640 x 480)@ 1-25/30FPS, (352 x 288)@ 1-25/30FPS Sub stream 3:- D1(704 x 576)@ 1FPS, VGA(640 x 480)@ 1FPS, (352 x 288)@ 1FPS *The sub streams max. frame rates depends on main stream frame rates</p> |
| Video Compression | Instastream, H.265, H.264, H.264H, H.264B, MJPEG (Only supported by the sub stream) |
| Smart search | Work together with AI NVR to perform refine AI search, event extraction and merging to event videos |
| Mirror Function | Support |
| Iris Control | Fixed |
| Noise Reduction | 2D NR, 3D NR |
| Motion detection | OFF/ON (4 areas, rectangular) |
| IVS(Perimeter Protection) | Intrusion, Tripwire (the two functions support the classification and accurate detection of vehicle and human) |
| Video format | PAL/NTSC |
| Privacy Mask | 4 areas |
| ROI | Support (4 areas) |
| OSD | Camera title, Date & Time, Channel Title, Time Title, Location, Font Properties, Custom Title |
| Bit Rate Control | CBR/VBR |
| Bit Rate | H.265: 3 kbps–8192 kbps, H.264: 3 kbps–8192 kbps |
| Protocol | SFTP, IPv6, IPv4, DNS, RTCP, NTP, RTP, RTMP, HTTP, HTTPS, SNMP V3, TLS Version 1.2, TCP/IP, PPPoE, NFS, UDP, UPnP, ICMP, SSL, DHCP, SMTP, RTSPS, InstaOn, ONVIF (Profile S, Profile G, Profile T), unicast, multicast |

| Feature | Specification |
|-----------------------|--|
| Audio Compression | G.711a, G.711Mu, G.726, PCM, AAC |
| SDK and API | Support |
| Ethernet | RJ-45 (10/100 Base-T) |
| Alarm Event | No SD card, SD card full, SD card error, Network disconnection, IP conflict, illegal access, Motion detection, Video tampering, Tripwire, Intrusion, Audio detection, Voltage detection, Defocus detection, External alarm, IMD (Intelligent motion detection), Security exception |
| Cyber Security | AES 256-bit Encryption, Configuration encryption, trusted execution, Digest, security logs, WSSE, account lockout, syslog, video encryption, IP/MAC filtering, HTTPS, trusted upgrade, trusted boot |
| Audio Input | 1 Channel (RCA port) |
| Audio Output | 1 Channel (RCA port) |
| Alarm IN | 1 Channel in: 5 mA 3–5 VDC |
| Alarm Out | 1 Channel out: 300 mA 12 VDC |
| Image Rotation | 0°/90°/180°/270° (Support 90°/270° with 2688 × 1520 resolution and lower) |
| User/Host | 6 (Total bandwidth: 48 M) |
| Browser | IE, Chrome, Firefox |
| Weatherproof Standard | IP67, IK10 |
| Storage | SFTP, NAS, Mirco SD card (Max. 512GB) |
| Certificates | ISO 9001: 2015, ISO 20000-1 : 2018, CE, FCC and RoHS, BIS, STQC approved compliance report |
| Power Source | 12 VDC/PoE (802.3af) |
| Power Consumption | Basic: 2.4 W (12 VDC), 3 W (PoE) Max. (H.265+ max. resolution + max. stream+ WDR + IR intensity + IVS): 6.2 W (12 VDC), 7.4 W (PoE) |
| Operating Temperature | –30°C to +60°C |
| Operating Humidity | ≤95% |
| Storage Temperature | –40°C to +60°C (–40°F to +140°F) |
| Casing | Metal |
| Dimension | 93.4 mm × Φ122 mm |
| Weight | 510g |

Published Date –20-01-2026

Dimensions (mm/inch)



Company Name:

CP PLUS (Aditya Infotech Ltd.)
F-28 Okhla Industrial Area, Phase 1,
New Delhi 110020, INDIA

Contact Mail ID :- customercare@cpplusworld.com