

# CP-UNC-TC81ZL6C-VMD-LQ

8MP Dual Light Bullet Camera - 60Mtr.



- 1/2.7" 8MP PS CMOS Image Sensor (0.9407 centimeters)
- Max. 8MP (3840 × 2160)@20fps
- Instastream, H.265, H.264, H.264H, H.264B, MJPEG
- Support Quad Stream
- WDR(120dB), Day/Night(ICR), 2D NR, 3D NR, ROI, AWB, AGC, BLC, HLC, Digital watermarking
- IR Range of 60 Mtr., Warm Light Range of 60 Mtr.
- 2.7 mm–13.5 mm Motorized Lens
- Support Starlight Technology
- Micro SD Card, PoE, IP67, IK10 (optional)



## System Overview

The CP PLUS Advanced Dual Light Cameras provide the perfect solution for elevating your security system. Designed for superior adaptability, these cameras support multiple illumination modes and advanced monitoring features, ensuring unmatched performance in various environments.

## CTC Technology:

CP PLUS Trusted Core Technology is a multi-layered security architecture that brings together the best of cyber security practices and technological intelligence. It is not just an enhancement; it is a complete redefinition of how surveillance should function in today's digital landscape - more intelligent, more secure, and more reliable than ever before.



# CP-UNC-TC81ZL6C-VMD-LQ

## 8MP Dual Light Bullet Camera - 60Mtr.

### Functions

#### Instastream

This camera has been designed with the latest and most efficient innovation among the standard video compression designs. Smart encoding algorithms developed by CP PLUS help in saving up to 70% more bandwidth than H.265 along with making it more beneficial for minimizing bandwidth and storage costs. It enhances video coding efficiency while providing high resolution and the rate of frame in the video using Intelligent Region Perception to detect motion in each frame.

#### Regions of interest

Regions of Interest (ROI) is a user defined feature that allows the operator to monitor specific areas of a scene while still maintaining overall situational awareness of less important areas.

#### True Day/Night

When the scene is too dark, the image is captured by illuminating an infrared light through the camera onto the scene that greatly helps with making the scene visible for the lens. It delivers color images during the day and automatically switches to the monochrome feature as the scene darkens.

#### Power over Ethernet

CP PLUS cameras with Power over Ethernet (PoE) technology offer a simple and efficient installation by using a single Ethernet cable to deliver both power and data. This eliminates the need for separate power adapters, reduces cable clutter, and ensures a cleaner setup.

### About CP PLUS

The brand that is on its way to lead the world when it comes to the security and surveillance industry, CP PLUS, keeps bombarding the market with the most reliable range of products that have been designed carefully and methodically to automate the whole surveillance and security process, no matter how big your premises are.

It was the initiative to help the public in the area where they are the most vulnerable and to empower the sense of safety in our hearts that had conceptualized CP PLUS. And embarking on its mission to make the world a safer and more secure place has taken the brand's journey to unprecedented levels even when compared to international competitors.



# CP-UNC-TC81ZL6C-VMD-LQ

## 8MP Dual Light Bullet Camera - 60Mtr.

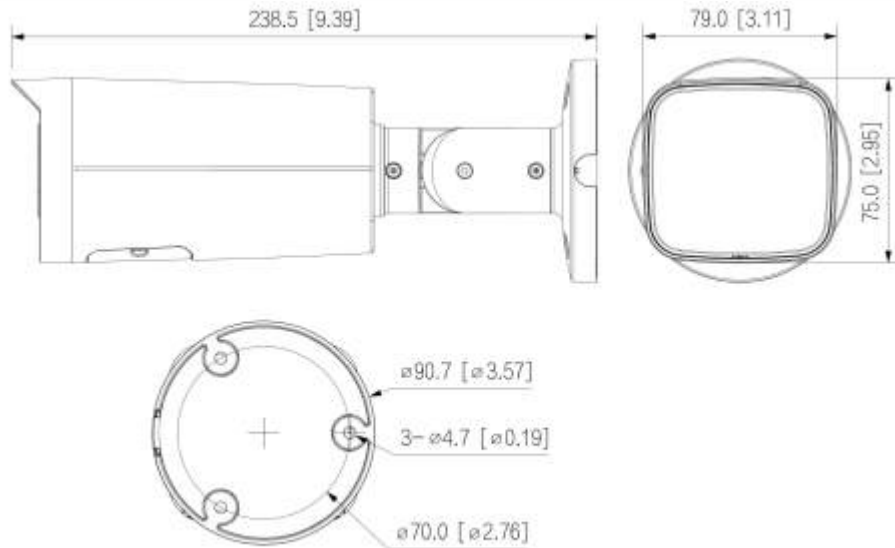
Feature	Specification
Image Sensor	1/2.7" 8MP PS CMOS Image Sensor (0.9407 centimeters)
Effective Pixels	3840 (H) × 2160 (V)
Minimum Illumination	0.001 lux@F1.4 (Color, 30 IRE), 0.0001 lux@F1.4 (B/W, 30 IRE), 0 lux (IR on)
Angle Adjustment	Pan: 0°–360°, Tilt: 0°–90°, Rotation: 0°–360°
Shutter Speed	Auto/Manual 1/3 s–1/100,000 s
White Balance	Auto, Natural, Street lamp, Outdoor, Manual, Regional custom
RAM	256 MB
ROM	128 MB
DORI Distance	Lens W: 85.3 m (Detect), 34.1 m (Observe), 17.1 m (Recognize), 8.5 m (Identify) Lens T: 280.0 m (Detect), 112.0 m (Observe), 56.0 m (Recognize), 28.0 m (Identify)
Gain Control(AGC)	Auto/ Manual
Lens Type	Motorized vari-focal
Max. Aperture	F1.4
Lens Mount	φ14
Close Focus Distance	0.8 m
Lens	2.7 mm–13.5 mm
Back Light Compensation	BLC/ HLC/ WDR(120dB)
Day/Night	Auto(ICR)/Color/B/W
Smart IR	Support
IR Number	4 Multi-core (IR + warm light)
IR	IR Range of 60 Mtr.
Warm Light	Warm Light Range of 60 Mtr.
S/N Ratio	>58 dB
Angle of View	H: 114°–32°, V: 58°–17°, D: 138°–36°
OTA (Over-The-Air )	Support

Feature	Specification
Smart search	Work together with AI NVR to perform refine AI search, event extraction and merging to event videos
Noise Reduction	2D NR, 3D NR
Resolution	8MP (3840 × 2160), 6MP (3072 × 2048), 5MP (3072 × 1728), 4MP (2560 × 1440), 3MP (2048 × 1536/2304 × 1296), 2MP (1920 × 1080), 1.3MP (1280 × 960), 720p (1280 × 720), D1 (704 × 576/704 × 480), VGA (640 × 480), CIF (352 × 288/352 × 240)
Stream Capability	Quad Stream
Frame Rate	Main stream: 8MP (3840 × 2160)@20fps, 4MP (2560 × 1440)@25/30 fps Sub stream 1: D1@25fps, Sub stream 2: D1@25fps, Sub stream 3: D1@1fps
Motion detection	OFF/ON (4 areas, rectangular)
Audio	Built-in Mic
Iris Control	Fixed
IVS(Perimeter Protection)	Intrusion, tripwire (the two functions support the classification and accurate detection of vehicle and human)
Video format	PAL/NTSC
Privacy Mask	4 areas
ROI	Support (4 areas)
Video Compression	Instream, H.265, H.264, H.264H, H.264B, MJPEG (Only supported by sub stream)
OSD	Camera title, Date & Time, Channel Title, Time Title, Location, Font Properties, Custom Title
Protocol	SFTP, IPv6, IPv4, DNS, RTCP, NTP, RTP, HTTP, HTTPS, SNMP V3, TLS Version 1.2, TCP/IP, PPPoE, NFS, UDP, UPnP, ICMP, SSL, DHCP, SMTP, RTSPS, InstaOn, ONVIF (Profile S, Profile G, Profile T), unicast, multicast
Ethernet	RJ-45 (10/100 Base-T)
Alarm Event	No SD card, SD card full, SD card error, Network disconnection, IP conflict, illegal access, Motion detection, Video tampering, Tripwire, Intrusion, Audio detection, Voltage detection, Defocus detection, External alarm, IMD (Intelligent motion detection), Security exception
Mirror Function	Support
Cyber Security	AES 256-bit Encryption, Configuration encryption, trusted execution, Digest, security logs, WSSE, account lockout, syslog, video encryption, IP/MAC filtering, HTTPS, trusted upgrade, trusted boot

Feature	Specification
IR Control	Auto, Manual
IMD (Intelligent motion detection)	Support
Browser	IE, Chrome, Firefox
Image Rotation	0°/90°/180°/270° (Support 90°/270° with 2688 × 1520 resolution and lower)
Audio Compression	G.711a, G.711Mu, G.726, PCM, AAC
Audio Input	1 Channel (RCA port)
Audio Output	1 Channel (RCA port)
Alarm IN	1 channel in: wet contact, 5 mA 3–5 VDC
Alarm Out	1 channel out: wet contact, 300 mA 12 VDC
Bit Rate	H.265: 3 kbps–8192 kbps, H.264: 3 kbps–8192 kbps
Bit Rate Control	CBR/ VBR
User/Host	6 (Total bandwidth: 48 M)
Storage	SFTP, NAS, Mirco SD card (Max. 512GB)
Weatherproof Standard	IP67, IK10 (optional)
Certificates	ISO 9001: 2015, ISO 20000-1 : 2018, CE, FCC and RoHS, BIS, STQC approved compliance report
Power Source	12 VDC/PoE (802.3af)
Power Consumption	Basic: 2.6 W (12 VDC), 3.1 W (PoE); Max.: 10.2 W (12 VDC), 12.7 W (PoE) (H.265 + intelligence on+ WDR + warm light intensity)
Operating Temperature	–30°C to +60°C
Operating Humidity	≤95% (RH), non-condensing
Storage Temperature	–30°C to +60°C
Storage Humidity	≤95% (RH), non-condensing
Casing	Metal
Dimension	238.5 mm × 75.0mm × 79.0 mm
Weight	740g

**Published Date –20-11-2025**

Dimensions (mm/inch)



**Company Name:**

CP PLUS (Aditya Infotech Ltd.)

F-28 Okhla Industrial Area, Phase 1,

New Delhi 110020, INDIA

**Contact Mail ID :-** [customercare@cpplusworld.com](mailto:customercare@cpplusworld.com)